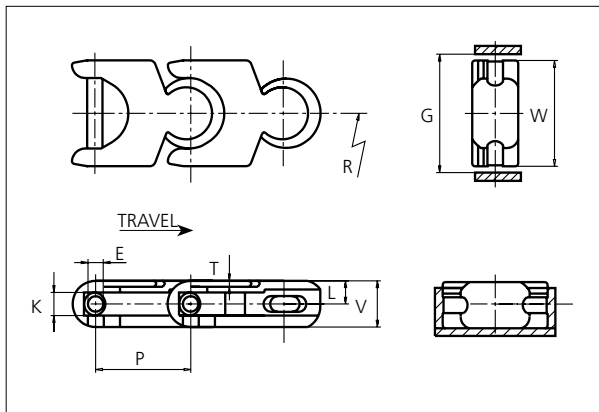




# uni Flex Plastic Chain

Series **uni 1700** Type -



**uni Flex Plastic Chain**  
 Side flexing chain  
 Pitch: 50.0 mm (1.97 in)  
 Backflex radius: 75.0 mm (3.00 in)  
 Permissible tensile strength:  
 POM material 4000 N (899 lbf)  
  
 Standard shipping lengths:  
 boxes of 122 links  
 = 6.100 m (20.0 ft)

STANDARD

E		G		K		L		P		T		V	
mm	in	mm	in	mm	in	mm	in	mm	in	mm	in	mm	in
8.0	0.31	59.0	2.32	11.9	0.37	12.0	0.47	50.0	1.97	3.1	0.12	24.0	0.94

All dimensions are for chains in POM material.

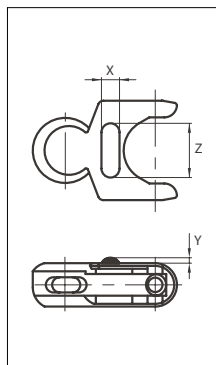
Width (W)		Material & color	Pin material	Weight		Min. radius (R)	
mm	in			kg/m	lb/ft	mm	in
55.0	2.17	POM-D <b>W</b> POM-D <b>G</b> POM-LF <b>BR</b>	SS304	1.4	0.94	150.0	5.91

Non standard material and color: See uni Material and Color Overview.  
 Non standard pin material: See uni Material and Color Overview.

SIDE FLEXING

## Accessories

### Rubber Top



Link material	Rubber material	X		Z		Y	
		mm	in	mm	in	mm	in
POM-D <b>W</b>	05 <b>I</b>	10.0	0.39	30.0	1.18	3.0	0.12

When ordering, please state the required distance between the Rubber Top.

Other Non Standard rubber profiles:  
 See uni Rubber Profile Overview

PITCH 50.0 MM/1.97 IN







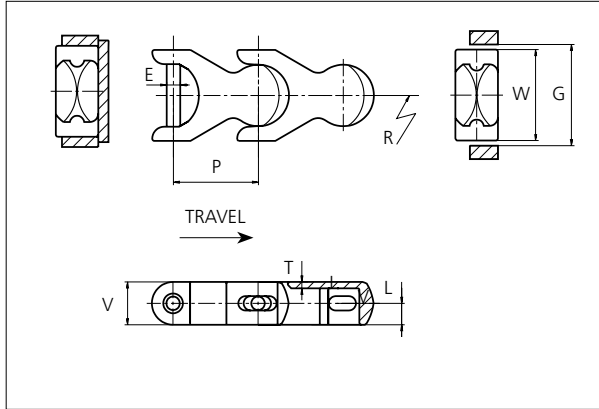






# uni Flex Plastic Chain

Series **uni 1702** Type -



**uni Flex Plastic Chain**  
 Side flexing chain  
 Pitch: 50.0 mm (1.97 in)  
 Backflex radius: 75.0 mm (3.00 in)  
 Permissible tensile strength:  
 POM material 4000 N (899 lbf)  
  
 Standard shipping lengths:  
 boxes of 122 links  
 = 6.100 m (20.0 ft)

STANDARD

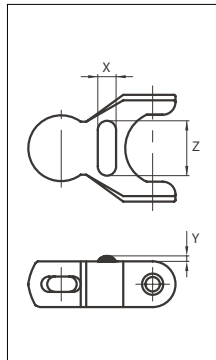
E		G		L		P		T		V	
mm	in	mm	in	mm	in	mm	in	mm	in	mm	in
8.0	56.90	59.0	2.24	12.7	0.50	50.0	1.97	3.5	0.14	25.0	0.98

Width (W)		Material & color	Pin material	Weight		Min. radius (R)	
mm	in			kg/m	lb/ft	mm	in
53.3	2.10	POM-D <b>W</b> POM-D <b>G</b> POM-LF <b>BR</b> POM-SLF <b>DG</b>	<b>SS304</b>	1.5	1.01	150.0	5.91

SIDE FLEXING

## Accessories

### Rubber Top



When ordering, please state the required distance between the Rubber Top.

Other Non Standard rubber profiles:  
 See uni Rubber Profile Overview

Link material	Rubber material	X		Z		Y	
		mm	in	mm	in	mm	in
POM-D <b>W</b>	05 <b>I</b>	10.0	0.39	30.0	1.18	3.0	0.12

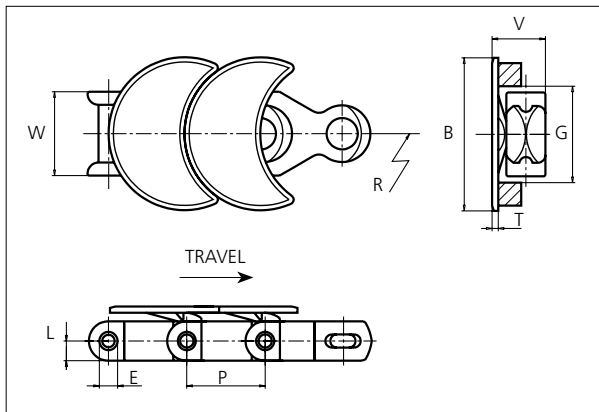
PITCH 50.0 MM/1.97 IN





# uni Flex Plastic Chain

Series **uni 1702** Type **H**



**uni Flex Plastic Chain**  
 Side flexing chain  
 Pitch: 50.0 mm (1.97 in)  
 Permissible tensile strength:  
 POM material 4000 N (899 lbf)  
  
 Standard shipping lengths:  
 boxes of 61 links  
 = 3.050 m (10.0 ft)

NON STANDARD

B		E		G		L		P		T		V	
mm	in	mm	in	mm	in	mm	in	mm	in	mm	in	mm	in
98.0	3.86	8.0	0.31	56.9	2.24	12.7	0.50	50.0	1.97	4.0	0.16	35.0	1.38

All dimensions are for chains in POM material.

Width (W)		Recommended base material & color	Recommended plate material	Weight		Min. radius (R)	
mm	in			kg/m	lb/ft	mm	in
53.3	2.10	POM-D <b>W</b> POM-D <b>G</b> POM-LF <b>BR</b>	POM-SLF <b>W</b> POM-SLF <b>G</b> POM-LF <b>BR</b>	-	-	150.0	5.91

Non standard material and color: See uni Material and Color Overview.  
 Non standard pin material: See uni Material and Color Overview.

SIDE FLEXING

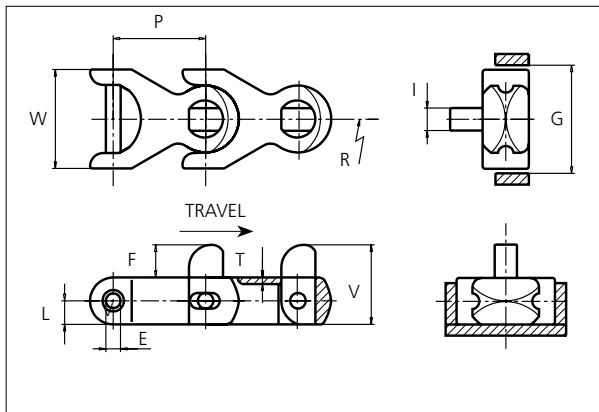
PITCH 50.0 MM/1.97 IN





# uni Flex Plastic Chain

Series **uni 1702** Type **M**



**uni Flex Plastic Chain**  
 Side flexing chain  
 Pitch: 50.0 mm (1.97 in)  
 Backflex radius: 125.0 mm (4.90 in)  
 Permissible tensile strength:  
 POM material 4000 N (899 lbf)  
  
 Standard shipping lengths:  
 boxes of 122 links  
 = 6.100 m (20.0 ft)

E		F		G		I		L		P		T		V	
mm	in	mm	in	mm	in	mm	in	mm	in	mm	in	mm	in	mm	in
8.0	0.31	17.5	0.69	56.9	2.24	12.0	0.47	12.7	0.50	50.0	1.97	3.5	0.14	42.5	1.67

All dimensions are for chains in POM material.

Width (W)		Base material & color	Peg material	Pin material	Weight		Min. radius (R)	
mm	in				kg/m	lb/ft	mm	in
53.3	2.10	POM-D <b>W</b>	POM-D <b>W</b> POM-D <b>G</b>	<b>SS304</b>	1.5	1.01	150.0	5.91

Non standard material and color: See uni Material and Color Overview.

Non standard pin material: See uni Material and Color Overview.

**When ordering, please state the required distance between the pegs.**

STANDARD

SIDE FLEXING

PITCH 50.0 MM/1.97 IN

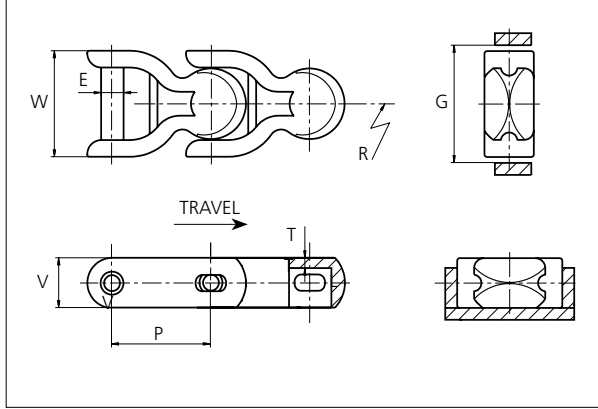






# uni Flex Plastic Chain

Series **uni 1703** Type -



**uni Flex Plastic Chain**  
 Side flexing chain  
 Pitch: 50.0 mm (1.97 in)  
 Backflex radius: 75.0 mm (3.00 in)  
 Permissible tensile strength:  
 POM material 4000 N (899 lbf)  
 AR material 2800 N (630 lbf)  
  
 Standard shipping lengths:  
 boxes of 122 links  
 = 6.100 m (20.0 ft)

STANDARD

E		G		P		T		V	
mm	in	mm	in	mm	in	mm	in	mm	in
8.0	0.31	56.9	2.24	50.0	1.97	4.0	0.16	25.0	0.98

All dimensions are for chains in POM material.

Width (W)		Material & color	Pin material	Weight		Min. radius (R)	
mm	in			kg/m	lb/ft	mm	in
53.3	2.10	POM-D <b>W</b> AR <b>W</b>	SS304	1.4	0.94	150.0	5.91

Non standard material and color: See uni Material and Color Overview.  
 Non standard pin material: See uni Material and Color Overview.

SIDE FLEXING

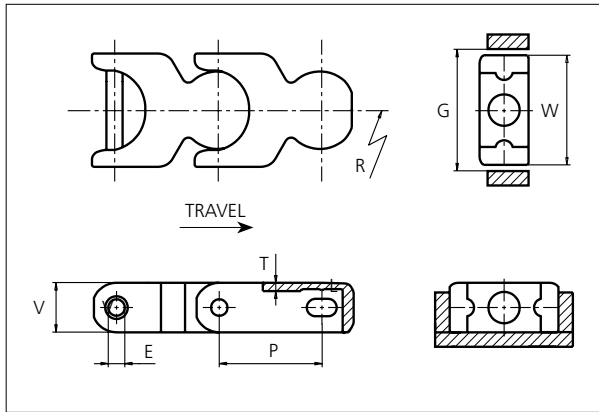
PITCH 50.0 MM/1.97 IN





# uni Flex Plastic Chain

Series **uni 1704** Type -



**uni Flex Plastic Chain**  
 Side flexing chain  
 Pitch: 50.0 mm (1.97 in)  
 Backflex radius: 75.0 mm (3.00 in)  
 Permissible tensile strength:  
 POM material 4000 N (899 lbf)  
  
 Standard shipping lengths:  
 boxes of 122 links  
 = 6.100 m (20.0 ft)

STANDARD

E		G		P		T		V	
mm	in	mm	in	mm	in	mm	in	mm	in
8.0	0.31	56.9	2.24	50.0	1.97	4.0	0.16	23.9	0.94

All dimensions are for chains in POM material.

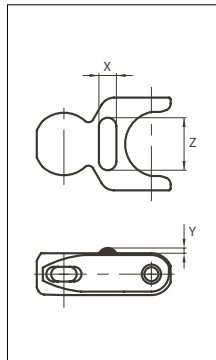
Width (W)		Material & color	Pin material	Weight		Min. radius (R)	
mm	in			kg/m	lb/ft	mm	in
53.3	2.10	POM-D <b>W</b> POM-D <b>G</b>	SS304	1.3	0.87	137.5	5.41

Non standard material and color: See uni Material and Color Overview.  
 Non standard pin material: See uni Material and Color Overview.

SIDE FLEXING

## Accessories

### Rubber Top/NON STANDARD



Link material	Rubber material	X		Z		Y	
		mm	in	mm	in	mm	in
POM-D <b>W</b>	05 <b>I</b>	10.0	0.39	30.0	1.18	3.0	0.12

When ordering, please state the required distance between the Rubber Top.

Other Non Standard rubber profiles:  
 See uni Rubber Profile Overview

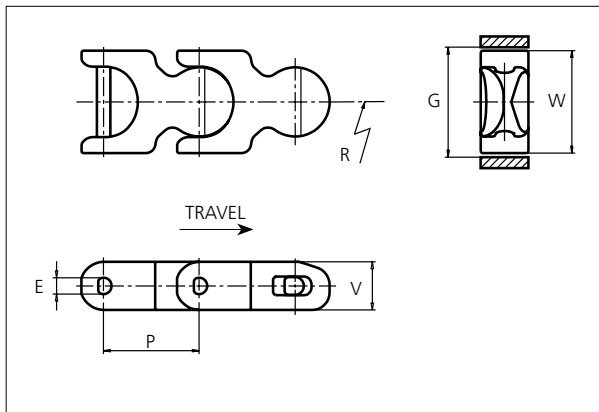
PITCH 50.0 MM/1.97 IN





# uni Flex Plastic Chain

Series **uni 1705** Type -



**uni Flex Plastic Chain**  
 Side flexing chain  
 Pitch: 50.0 mm (1.97 in)  
 Backflex radius:  
 75.0 mm (3.00 in)  
 Permissible tensile strength:  
 POM material 3100 N (689 lbf)  
  
 Standard shipping lengths:  
 boxes of 122 links  
 = 6.100 m (20.0 ft)

E		G		P		V	
mm	in	mm	in	mm	in	mm	in
8.7	0.34	57.0	2.24	50.0	1.97	25.0	0.98

All dimensions are for chains in POM material.

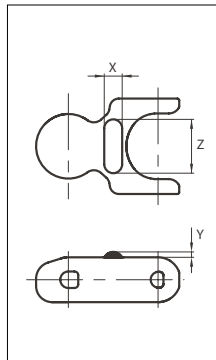
Width (W)		Material & color	Pin material	Weight		Min. radius (R)	
mm	in			kg/m	lb/ft	mm	in
53.2	2.09	POM-D <b>W</b>	<b>SS304</b>	1.4	0.94	136.0	5.35

Non standard material and color: See uni Material and Color Overview.

Non standard pin material: See uni Material and Color Overview.

## Accessories

### Rubber Top/NON STANDARD



Link material	Rubber material	X		Z		Y	
		mm	in	mm	in	mm	in
POM-D <b>W</b>	05 <b>I</b>	10.0	0.39	30.0	1.18	3.0	0.12

When ordering, please state the required distance between the Rubber Top.

Other Non Standard rubber profiles:  
 See uni Rubber Profile Overview



STANDARD

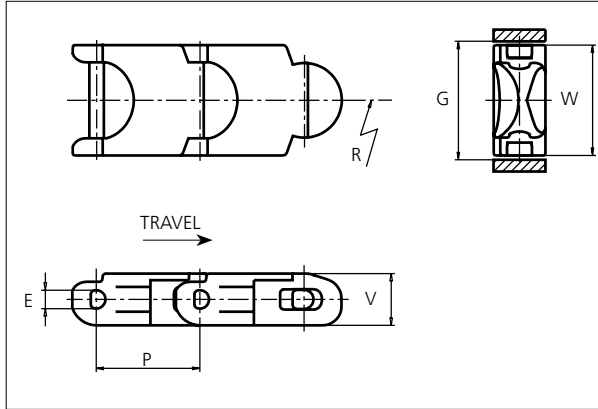
SIDE FLEXING

PITCH 50.0 MM/1.97 IN



# uni Flex Plastic Chain

Series **uni 1706** Type -



**uni Flex Plastic Chain**  
 Side flexing chain  
 Pitch: 50.0 mm (1.97 in)  
 Backflex radius: 120.0 mm (4.70 in)  
 Permissible tensile strength:  
 POM material 3100 N (689 lbf)

Standard shipping lengths:  
 boxes of 122 links  
 = 6.100 m (20.0 ft)

STANDARD

E		G		P		V	
mm	in	mm	in	mm	in	mm	in
8.7	0.34	57.0	2.24	50.0	1.97	24.0	0.95

All dimensions are for chains in POM material.

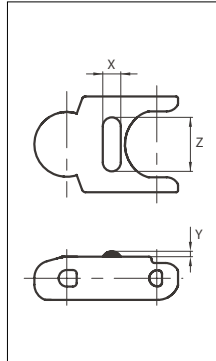
Width (W)		Material & color	Pin material	Weight		Min. radius (R)	
mm	in			kg/m	lb/ft	mm	in
53.2	2.09	POM-D <b>W</b>	<b>SS304</b>	1.4	0.94	150.0	5.91

Non standard material and color: See uni Material and Color Overview.  
 Non standard pin material: See uni Material and Color Overview.

UNI FLEX PLASTIC CHAIN

## Accessories

### Rubber Top/NON STANDARD



Link material	Rubber material	X		Z		Y	
		mm	in	mm	in	mm	in
POM-D <b>W</b>	05 <b>I</b>	10.0	0.39	30.0	1.18	3.0	0.12

When ordering, please state the required distance between the Rubber Top.

Other Non Standard rubber profiles:  
 See uni Rubber Profile Overview

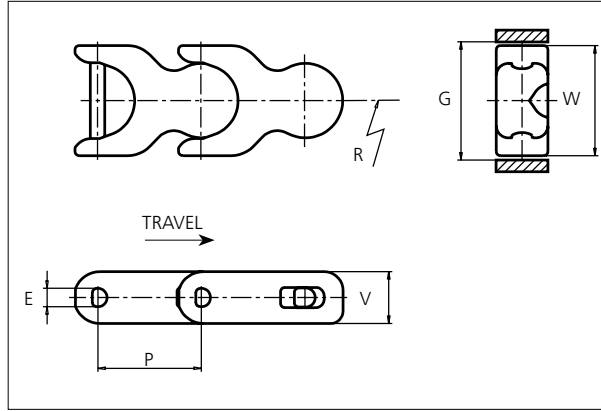
PITCH 50.0 MM/1.97 IN





# uni Flex Plastic Chain

Series **uni 1707** Type -



**uni Flex Plastic Chain**  
 Side flexing chain  
 Pitch: 50.0 mm (1.97 in)  
 Backflex radius:  
 70.0 mm (2.80 in)  
 Permissible tensile strength:  
 POM material 3200 N (719 lbf)  
  
 Standard shipping lengths:  
 boxes of 122 links  
 = 6.105 m (20.0 ft)

NON STANDARD

E		G		P		V	
mm	in	mm	in	mm	in	mm	in
8.7	0.34	57.0	2.24	50.0	1.97	25.0	0.98

All dimensions are for chains in POM material.

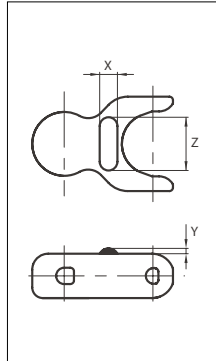
Width (W)		Recommended material & color	Recommended Pin material	Weight		Min. radius (R)	
mm	in			kg/m	lb/ft	mm	in
53.2	2.09	POM-D <b>W</b>	<b>SS304</b>	-	-	135.0	5.31

Non standard material and color: See uni Material and Color Overview.  
 Non standard pin material: See uni Material and Color Overview.

SIDE FLEXING

## Accessories

### Rubber Top



Link material	Rubber material	X		Z		Y	
		mm	in	mm	in	mm	in
POM-D <b>W</b>	05 <b>I</b>	10.0	0.39	25.0	0.98	3.0	0.12

When ordering, please state the required distance between the Rubber Top.

Other Non Standard rubber profiles:  
 See uni Rubber Profile Overview

PITCH 50.0 MM/1.97 IN



## Sprocket

No of teeth	Pitch diameter		Overall-diameter		Min. ø bore		Max. ø bore		Hub-diameter		Dimension A		Dimension B		Molded PA6 LG	Molded Cast Iron	Machined PA6	Machined SS304
	mm	in	mm	in	mm	in	mm	in	mm	in	mm	in	mm	in				
<b>Z8</b>	130.7	5.14	133.0	5.20	20.00	0.80	40.00	1.60	63.00	2.50	47.90	1.90	82.40	3.20	✓	✓	✓	✓
<b>Z10</b>	161.8	6.37	166.1	6.50	20.00	0.80	40.00	1.60	63.00	2.50	64.50	2.50	97.30	3.80	✓	✓	✓	✓
<b>Z12</b>	193.2	7.61	196.0	7.70	20.00	0.80	40.00	1.60	63.00	2.50	80.80	3.20	112.40	4.40	✓	✓	✓	
<b>Z13</b>	208.9	8.22	214.0	8.40	20.00	0.80	40.00	1.60	63.00	2.50	88.90	3.50	120.10	4.70	✓	✓	✓	

Non standard material and color:  
See uni Material and Color Overview.

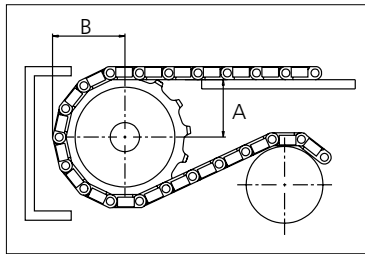
### Molded sprocket



### Cast iron sprocket



### Machined sprocket



Please ensure that sufficient size shaft and keyway are chosen for corresponding load.

Other sprocket sizes are available upon request

Width of tooth: 11.0 mm/0.43 in

Width of sprocket: 42.3 mm/1.67 in

uni Retainer Rings: See uni Retainer Ring data sheet

uni Idler: See uni Idler data sheet

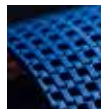
uni 1707/160622



Conveyor Belts



Seamless Belts



Modular Belts



Timing Belts



Transmission Belts



Fabrication & service

Expert advice, quality solutions and local service for all your belting needs  
[www.ammeraalbeltech.com](http://www.ammeraalbeltech.com)

**Ammeraal Beltech Modular A/S**  
Hjulmagervej 21  
DK-7100 Vejle

T +45 7572 3100  
F +45 7572 3348  
admin@unichains.com  
www.unichains.com

This information is subject to alteration due to continuous development. Ammeraal Beltech will not be held liable for the incorrect use of the above stated information. This information replaces previous information. All activities performed and services rendered by Ammeraal Beltech are subject to general terms and conditions of sale and delivery, as applied by its operating companies.