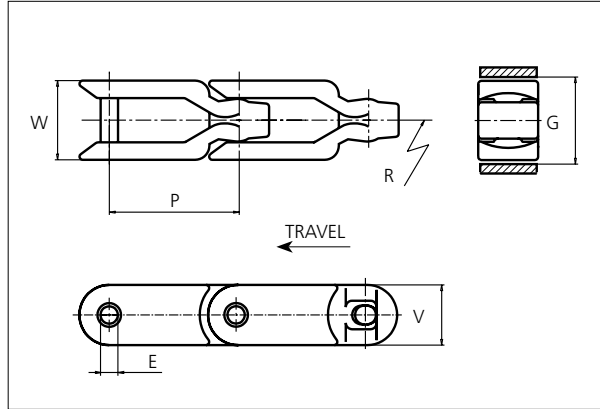
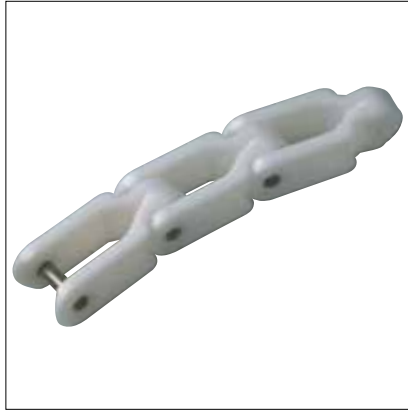


uni Flex Plastic Chain

Series **uni 1400** Type -



uni Flex Plastic Chain

Side flexing chain
 Pitch: 82.5 mm (3.25 in)
 Backflex radius:
 75.0 mm (2.90 in)
 Permissible tensile strength:
 POM material 8000 N
 (1798 lbf)

Standard shipping lengths:
 boxes of 74 links
 = 6.105 m (20.0 ft)

STANDARD

E		G		P		V	
mm	in	mm	in	mm	in	mm	in
11.0	0.43	54.0	2.13	82.5	3.25	38.0	1.50

All dimensions are for chains in POM material.

Width (W)		Material & color	Pin material	Weight		Min. radius (R)	
mm	in			kg/m	lb/ft	mm	in
50.0	1.97	POM-D 	SS304	2.1	1.41	450	17.72

Non standard material and color: See uni Material and Color Overview.

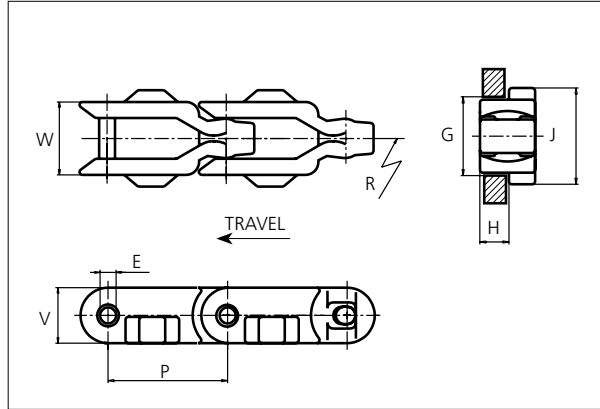
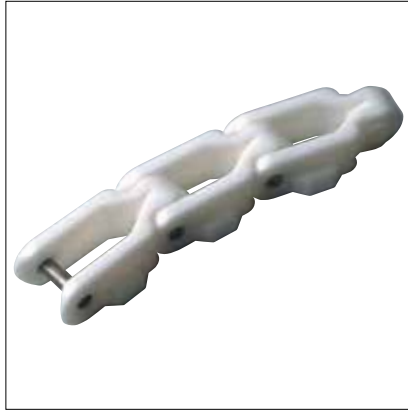
Non standard pin material: See uni Material and Color Overview.

SIDE FLEXING

PITCH 82.5 MM/3.25 IN

uni Flex Plastic Chain

Series **uni 1400** Type **Tab**



uni Flex Plastic Chain

Side flexing chain
 Pitch: 82.5 mm (3.25 in)
 Backflex radius: 75.0 mm (2.90 in)
 Permissible tensile strength:
 POM material 8000 N (1798 lbf)

Standard shipping lengths:
 boxes of 74 links
 = 6.105 m (20.0 ft)

STANDARD

E		G		H		J		P		V	
mm	in	mm	in	mm	in	mm	in	mm	in	mm	in
11.0	0.43	54.0	2.13	20.0	0.79	66.0	2.60	82.5	3.25	38.0	1.50

All dimensions are for chains in POM material.

Width (W)		Material & color	Pin material	Weight		Min. radius (R)	
mm	in			kg/m	lb/ft	mm	in
50.0	1.97	POM-D W	SS304	2.3	1.55	450	17.72

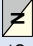
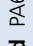
Non standard material and color: See uni Material and Color Overview.

Non standard pin material: See uni Material and Color Overview.

SIDE FLEXING

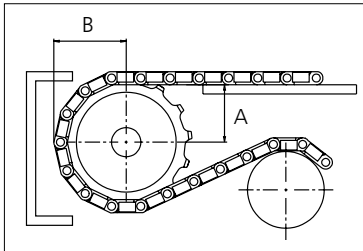
PITCH 82.5 MM/3.25 IN

Sprocket

No of teeth	Pitch diameter		Overall-diameter		Min. ø bore		Max. ø bore		Hub-diameter		Dimension A		Dimension B		Machined  PAG 
	mm	in	mm	in	mm	in	mm	in	mm	in	mm	in	mm	in	
Z6	164.5	6.48	177.0	7.00	20.0	0.80	40.0	1.60	63.0	2.50	52.5	2.10	101.5	4.00	✓
Z8	215.2	8.47	227.6	9.00	20.0	0.80	50.0	2.00	75.0	2.95	80.6	3.20	126.8	5.00	✓
Z10	266.7	10.50	279.0	11.00	20.0	0.80	50.0	2.00	75.0	2.95	108.0	4.30	152.5	6.00	✓

Non standard material and color:
See uni Material and Color Overview.

Machined sprocket



Please ensure that sufficient size shaft and keyway are chosen for corresponding load.

Other sprocket sizes are available upon request

Width of tooth: 15.0 mm/0.59 in

Width of sprocket: 42.3 mm/1.67 in

uni Retainer Rings: See uni Retainer Ring data sheet